



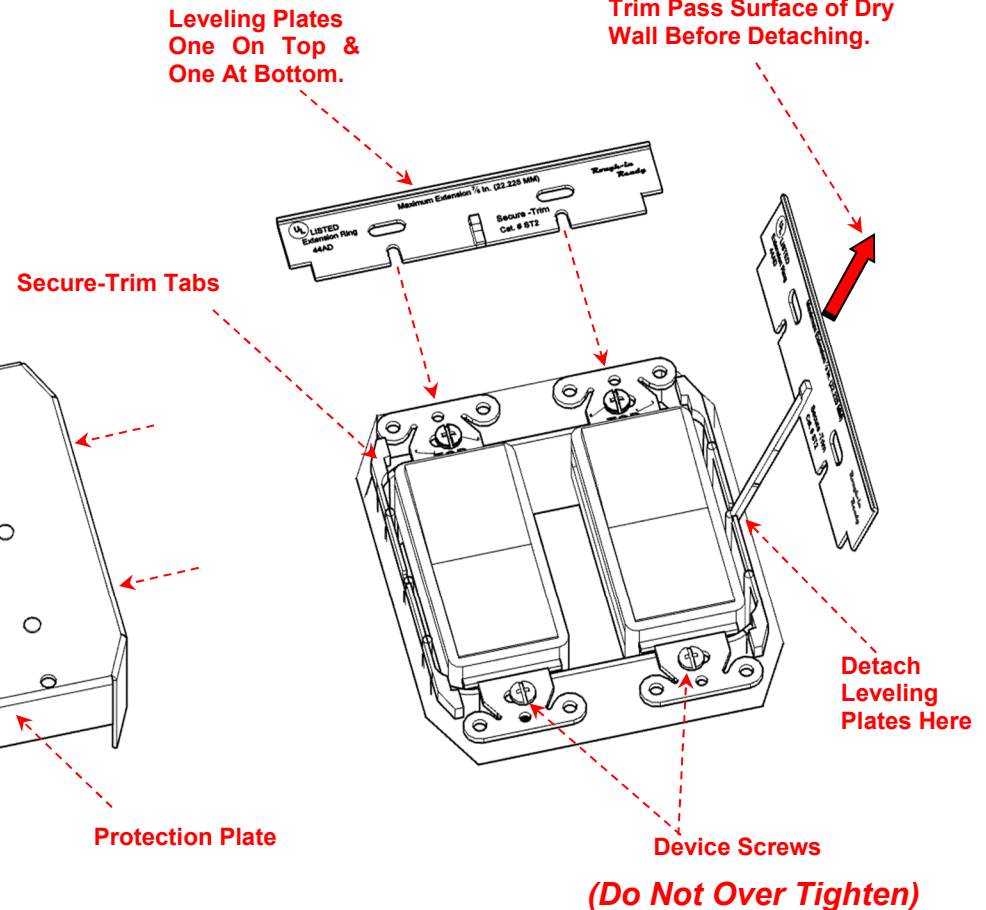
Secure-Trim 2 Gang – Installation Notes For Setting Secure-Trim Cat. # ST2 1-800-286-9601 @ www.roughinready.com



To Level Devices With Secure-Trim

1. Remove **Protection Plate**.
2. Adjust **Device Screws** out evenly to bring "**Device Strap**" above the wall surface if necessary. **NOTE:** Secure-Trim will add up to 7/8 of an inch to a 5/8", 3/4" or a 1-1/4" plaster ring.
3. Detach **Leveling Plates** from "**Secure-Trim**" and slide each **Leveling Plate** behind "**Secure-Trim**" **Tabs** until the **Device Screws** are seated all the way into the slots of the **Leveling Plate**.
4. Adjust **Device Screws** until the "**Secure-Trim**" is flush and level with the wall surface. (**Do Not Over Tighten**) Leveling Plates should be flat and parallel with wall surface.
5. Install device cover as normal.

Note:
Pull Out Using Leveling Plates To Bring Secure Trim Pass Surface of Dry Wall Before Detaching.



NOTE:

- Box extender is not to be used to secure any other product.
- Improper grounding can result in a risk of electric shock.
- The device must be properly grounded in accordance with all applicable local codes and ordinances after the box extender is installed. Check with a qualified electrician if you are in doubt as to whether the product is properly grounded.
- The box extender is not for use with an isolated grounding device.